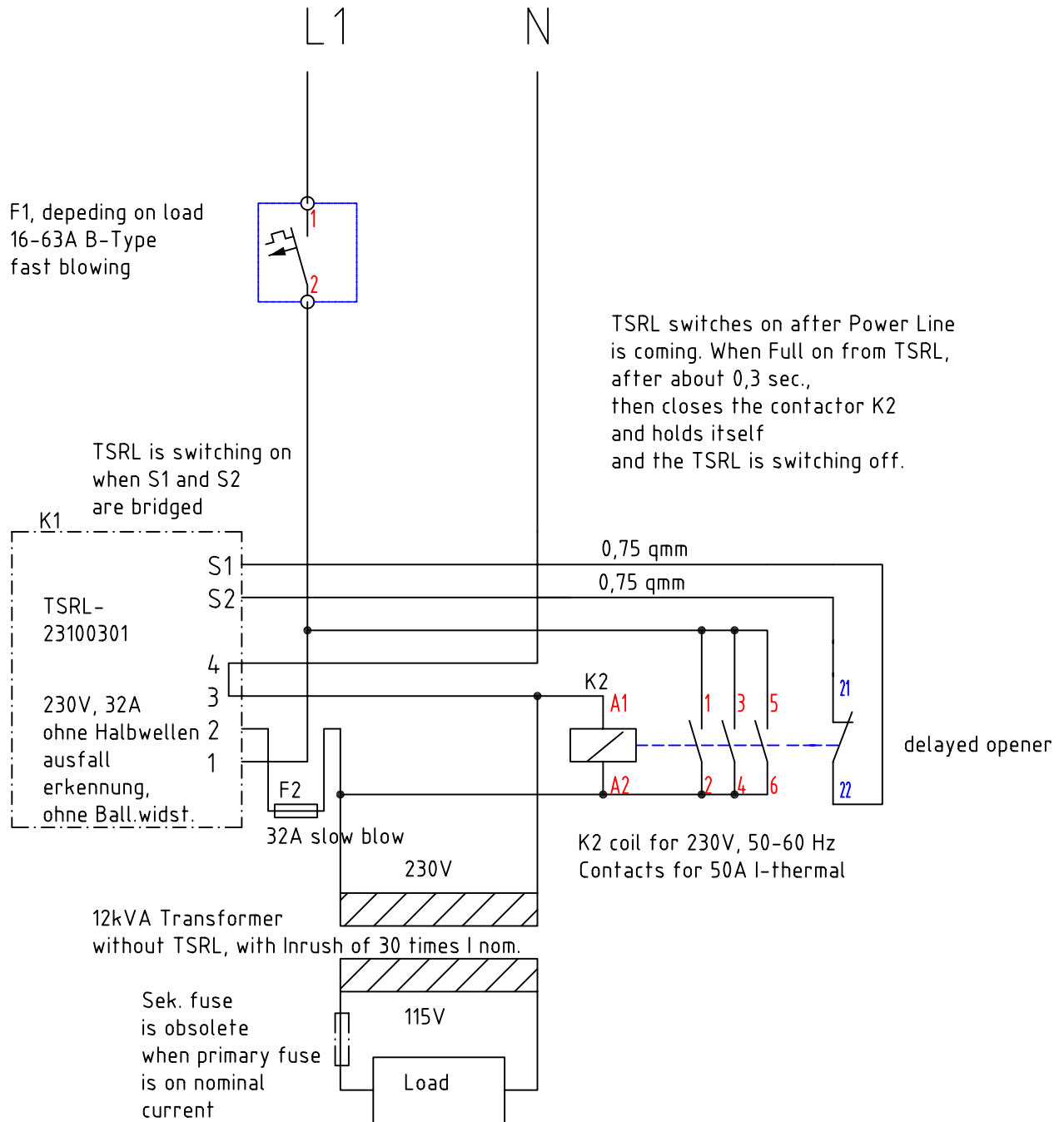


Transformer Switching relays Application for 50A, 230V



The TSRL, K1 has 30-50 msec. switchoff delay. K2 must close earlier when opener is not delayed

Drawn from M.KONSTANZER	27.03.07	Anwendung:	Datum DATUM	Skala M=1:1
EMEKO-ING.BUERO		TRANSFORMER-SOFTSTART-230V-50A		
		TSRLA12-E.DWG	Ausgabe 1	Blatt 1